



Superb Image Quality with Added Intelligence

The new Panasonic WV-CS954 *Super Dynamic III* dome camera is equipped with a 30x optical zoom lens. Combined with a 10x digital zoom, for a total zoom capability up to 300x, this camera can identify distant subjects.

With its Pixel Based 128x Dynamic Range, the WV-CS954 works beautifully even when contrast changes from scene to scene. Area free natural contrast image correction ensures accurate reproduction, whatever the subject. Horizontal resolution is also significantly higher, 540 lines (typical) in color or 570 lines in B/W. Plus, images stay clear and sharp in lighting as low as 0.5 lux (0.05 fc, in color) and 0.04 lux (0.004 fc, in B/W). Adaptive Digital Noise Reduction eliminates streaking from objects such as headlights. Its 0.065°/sec. ultra slow speed fine control and powerful zoom let you zoom in smoothly on your subject. Whatever the situation, WV-CS954 offers dramatic improvement in subject identification.

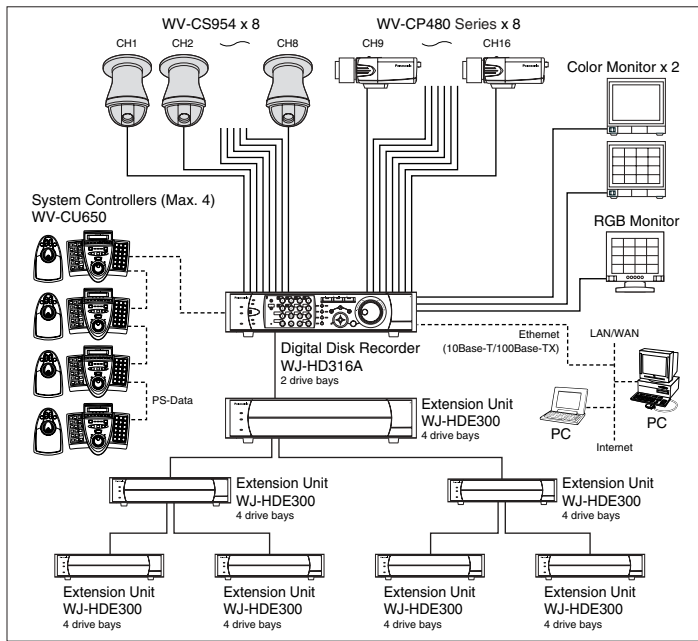
Additional intelligent features include Auto Image Stabilizer to eliminate blurring if the camera is shaken. Scene Change Detection to send the alarm signal if the camera is interfered with, Auto Tracking of intruders, and 256 preset positions.

Combining extraordinary image quality with added intelligence, the WV-CS954 brings unprecedented reliability to 24-hour surveillance.

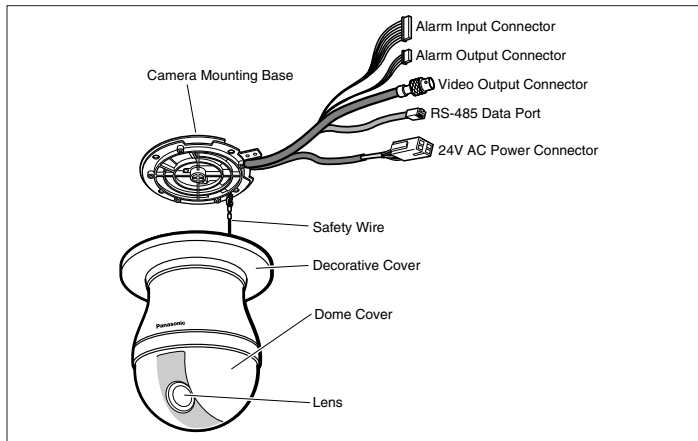
KEY FEATURES

- All-in-one color surveillance dome camera unit.
- The new Pixel Based 128x Dynamic Range with area free natural contrast image correction adjusts moment-to-moment changes in contrast to view subjects accurately in all areas and positions.
- Higher horizontal resolution of 540-line (typical) at color mode, and 570-line at B/W mode.
- Minimum illumination of 0.5 lux (0.05 fc) at color mode, and 0.04 lux (0.004 fc) at B/W mode (Sens. up; off, AGC High).
- Innovative intelligent features:
 - *Auto image stabilizer function for applications where vibration or wind is a concern, e.g. passing vehicles.
 - *Scene change detection alarms when lens is covered, spray painted, removed, defocused or camera angle is changed.
 - *Auto tracking function tracks moving objects and keeps them centered in the field of view. Perfect for restricted areas and after hour applications.
- Day/Night operation can be selected to automatically or manually switch from color to B/W.
- Privacy zone masking function.
- Linear 32x electronic sensitivity enhancement function.
- Digital motion detector.
- 30x optical zoom lens (3.8 - 114 mm at F1.4) plus 10x electronic digital zoom for total zoom capacity of 300x.
- Auto focus lens.
- Digital-FLIP by memory allows automatic 180° turn.
- Patrol Learn function (8 zone total).
- Auto panning function with 256 preset positions.
- 360° endless panning.
- Panning speed of max. 400°/s at preset mode and 0.065°/s super fine control at manual mode.
- Image Hold function during panning.
- Multiplex-coaxial or RS-485 data communication.
- Four (4) alarm inputs and two (2) outputs terminals.
- 16 alphanumeric character display.
- Internal/Line-lock/Multiplexed Vertical Drive (VD2) synchronization.
- 24V AC, 60Hz power source.
- Optional smoked dome cover, ceiling and wall mounts brackets are available for various applications.

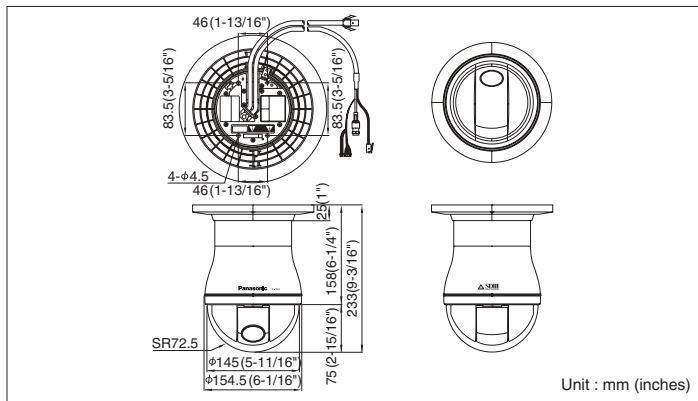
SYSTEM EXAMPLE



MAJOR OPERATING CONTROLS & TERMINALS



APPEARANCE



SPECIFICATIONS

Model No.	WV-CS954
General	
Pick-up Device	1/4-type interline transfer CCD
Effective Pixels	768 (H) x 494 (V)
Scanning Area	3.65 mm (H) x 2.74 mm (V)
Signal	NTSC/EIA
Synchronization	Internal / Line-Lock / Multiplexed Vertical Drive (VD2)
Scanning	2:1 interlace
Scanning Frequencies	Horizontal: 15.734 kHz, Vertical: 59.94 Hz
Video Output	VBS: 1.0 V [p-p] /75 Ω (BNC connector)
Horizontal Resolution (Center)	540 lines (in color, typical) 520 lines minimum (in color, HIGH mode) 480 lines minimum (in color, NORMAL mode) 570 lines minimum (in B/W)
Minimum Illumination	0.5 lux (0.05 fc) (in color) 0.04 lux (0.004 fc) (in B/W) *SENSE UP: OFF, AGC: HIGH
Dynamic Range	52 dB typical (SUPER-DYNAMIC III: ON)
Signal-to-Noise Ratio	50 dB minimum (AGC: OFF)
Ambient Operating Temperature	-10 °C - +50 °C (14 °F - 122 °F) Humidity: 90 % max. (non-condensation)
Power Source and Consumption	24 V AC, 60 Hz; 13.0 W
Dimensions	154.5 mm (D) x 233 mm (H) (6-1/16" (D) x 9-3/16" (H))
Weight	approx. 2.2 kg (4.84 lbs.)
Pan and Tilt	
Panning Range	360° endless
Panning Modes	Manual, auto, manual position, sequential position
Panning Speed*	Manual: approx. 0.065°/s - 120°/s 8 steps, 16 steps, 64 steps Preset: approx. 400°/s
Tilting Range	-5° - 185° (horizontal - vertical - horizontal) (According to the TILT ANGLE)
Tilting Modes	Manual, manual position, sequential position
Tilting Speed*	Manual: approx. 0.065°/s - 120°/s 8 steps, 16 steps, 64 steps Preset: approx. 400°/s
* Actual speed depends on type of optional controller being used.	
Lens	
Zoom Ratio	300x (30x optical zoom plus 10x electronic digital zoom)
Focal Length	3.8 mm - 114 mm
Maximum Aperture Ratio	1:1.4 (WIDE) - 3.7 (TELE)
Object Distance	1.5 m
Iris Range	F1.4 - 22, Close
Angular Field of View	Horizontal: 1.9° (TELE) - 52° (WIDE) Vertical: 1.4° (TELE) - 40° (WIDE)
Main Functions	
Controller Interface	Coaxial Multiplex System, RS-485 Transmission
Control Functions	Pan and tilt, zoom and focus, 256 preset positions, home position, patrol
AGC	ON (LOW/MID/HIGH), OFF
Character Display	ON, OFF (Preset ID, camera ID, area title: 16 alphanumeric characters)
Zoom Speed	approx. 6.0 seconds (TELE to WIDE) in manual mode
Zoom Ratio Control	1x - 300x (Over 30x is electronic zoom)
Password Lock	All menus
Focus Speed	approx. 6.0 seconds (FAR to NEAR, full TELE zoom) in manual mode
Auto Focus	MANUAL/AUTO (PAN, TILT, ZOOM linked)
Iris	ALC (Adjustable OPEN/CLOSE output target level)/MANUAL
Shutter	OFF (1/60), AUTO, 1/100, 1/250, 1/500, 1/1,000, 1/2,000, 1/4,000, 1/10,000
Electronic Sensitivity Enhancement	32x max. (AUTO or FIX; Factory Default: AUTO (2))
Auto Mode	OFF, SEQ, SORT, AUTO PAN, PATROL, AUTO TRACK
Auto Pan Key	SEQ, SORT, AUTO PAN, PATROL, AUTO TRACK
Digital Flip	ON/OFF
Super Dynamic III	ON/OFF
Motion Detector	OFF/MODE1/MODE2
Alarm Input/Output	4 inputs (ALARM IN 1 - ALARM IN 4) 2 outputs (ALARM/AUX1, BW/AUX2)
Black and White Mode Switching	AUTO/ON/OFF
Privacy Zone	ON/OFF (8 zone settings)
Patrol	STOP/PLAY/LEARN
Cleaning	ON/OFF
Image Hold	ON/OFF
STABILIZER	ON/OFF
Scene Select Setting	INDOOR (L) / INDOOR (H) / OUTDOOR (L) / OUTDOOR (H)
Language Setting	English, German, French, Italian, Spanish, Russian, Chinese, Japanese

OPTIONAL ACCESSORIES

WV-CS3S	WV-Q105	WV-Q116	WV-Q117	WV-Q118
Smoke Cover	Direct Ceiling Installation	Embedded Ceiling Installation	Suspended Ceiling Installation	Wall Installation

Important – Safety Precaution: carefully read the operating instructions and installation manual before using this product.

• Weights and dimensions are approximate. • Specifications are subject to change without notice. • These products may be subject to export control regulations.

Panasonic

Panasonic System Solutions Company
Unit Company of Panasonic Corporation of North America
Security Systems

Website : www.panasonic.com/security
For Customer Support : call 1.877.733.3689

Executive Office : Three Panasonic Way 2H-2, Secaucus, New Jersey 07094
Zone Office
Eastern : Three Panasonic Way, Secaucus, New Jersey 07094
Central : 1707 N.Randal Road, Elgin, IL 60123
Southern : 1225 Northbrook Parkway, Suwanee, GA 30024
Western : 6550 Katella Ave., Cypress, CA 90630

DISTRIBUTED BY:

PANASONIC CANADA INC.
5770 Ambler Drive, Mississauga, Ontario, L4W 2T3 Canada (905) 624-5010
PANASONIC PUERTO RICO INC.
DIVISION OF PANASONIC CORPORATION OF NORTH AMERICA
San Gabriel Industrial Park, 65th Infantry Ave. KM. 9.5 Carolina, P.R. 00985 (809) 750-4300
Printed in Japan
WV-JHCS954T(2P-525)