



## High Performance & A Wide Range of Features

Panasonic introduces the WV-CS574 color dome camera. A compact 110mm (4.3"), all-in-one unit contains both a 22x optical zoom lens and a pan/tilt rotating chassis.

510 lines of horizontal resolution (at High Position) deliver color images of outstanding quality. Ultra sensitive, this camera also operates in light as low as 1 lux (0.1 fc). Superb basic features capture subjects with definitive clarity. With continuous 360° horizontal rotation and 180° vertical pan, this camera provides coverage across a wide area. It can be preset for up to 32 positions and shift sequentially from one preset position to another at max. 300°/second, while the Image Hold feature prevents image blurring during rapid rotation.

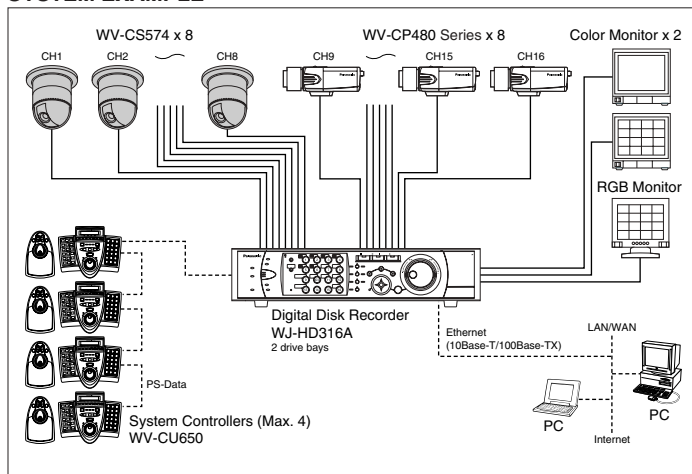
Privacy Zone Masking blocks scenes that should not be displayed. Patrol Learning remembers and repeats manual camera controls. Digital Motion Detection automatically senses movement in the image. These and other advanced features make surveillance simple.

Combining high performance and versatile features, the WV-CS574 provides reliable color surveillance in a broad range of applications.

### KEY FEATURES

- Compact 110mm (4.3") diameter dome all-in-one color unit.
- 510-line of horizontal resolution (at High position).
- Digital-FLIP by memory read out allows automatic 180-degree turn.
- Minimum illumination of, 1 lux (0.1 fc) at color imaging (Sens up off: AGC High)
- Privacy zone masking function.
- Linear 32x electronic sensitivity enhancement function.
- Digital motion detector.
- Patrol Learn function.
- Auto panning function with 32 preset positions.
- 360° panning and speed of max. 300°/s at preset mode.
- Image hold function during panning.
- 22x optical zoom lens (3.79 - 83.4mm at F1.6) plus 10x electronic digital zoom for total zoom capacity of 220x.
- Auto focus lens.
- Multiplex-coaxial or RS-485 data communication.
- Four (4) alarm inputs and two (2) outputs terminals.
- 16 alphanumeric character display.
- Internal/Line-lock/Multiplexed Vertical Drive (VD2) synchronization.
- 24V AC, 60Hz power source.
- Optional mirror dome cover, ceiling and wall mounts brackets are available for various applications.

## SYSTEM EXAMPLE



## SPECIFICATIONS

Model No.	WV-CS574
Effective Pixels	768 (H) x 494 (V)
Scanning Area	3.65 mm (H) x 2.74 mm (V), 1/4-type CCD
Synchronization	Internal / Line-lock / Multiplexed Vertical Drive (VD2)
Horizontal Scanning Frequency	15.734 kHz
Vertical Scanning Frequency	59.94 Hz
Video Output	1.0 V [p-p] NTSC composite / 75 Ω
Horizontal Resolution	510 lines at center (Color at High), 480 lines at center (Color at normal)
Vertical Resolution	350 lines at center
Signal-to-Noise Ratio	50 dB (AGC OFF, weight on)
Minimum Illumination	1 lux (0.1 fc) at color imaging (Sens up off: AGC High) approx. 4.5 s (TELE / WIDE) in manual mode
Zoom Speed	approx. 5 s (FAR / NEAR) in manual mode
Focus Speed	approx. 5 s (FAR / NEAR) in manual mode
Iris	automatic (open / close is possible) / manual
Maximum Aperture Ratio	1:1.6 (WIDE) - 3.0 (TELE)
Focal Length	3.79 - 83.4 mm
Angular Field of View	H 2.6° - 52.3° V 2.0° - 39.9°
Electronic Shutter	1/60 (OFF), 1/100, 1/250, 1/500, 1/1,000, 1/2,000, 1/4,000, 1/10,000 s
AGC	ON (LOW) / ON (MID) / ON (HIGH) / OFF
Sens Up	MAX. 32 times, AUTO / FIX
Zoom Ratio	x22 + digital zoom x10
Iris Range	F1.6 - 22, CLOSE
Auto Focus	MANUAL / AUTO
Auto Mode	OFF / SEQ / SORT / AUTO PAN / PATROL
Auto Pan Key	SEQ / SORT / AUTO PAN / PATROL PLAY
Digital Flip	ON / OFF
Image Hold	ON / OFF
Camera ID	preset ID, camera ID, area title: up to 16 characters
Motion Detector	ON / OFF
Alarm IN	4 inputs (ALARM IN 1 - 4)
Alarm OUT	2 outputs (ALARM / AUX1, B/W / AUX2)
Privacy Zone	ON / OFF, up to 8 zones
Proportional PAN / TILT	ON / OFF
Patrol	LEARN / PLAY / STOP, up to 60 seconds
Cleaning	ON / OFF
Panning Range	360° endless
Panning Angle Setting	possible (in auto-pan mode)
Panning Mode	manual / sequential position / sort position / auto pan
Panning Speed	manual: approx. 0.1"/s - 120"/s 8-step/64-step sequential position: maximum approx. 300"/s
Tilting Range	-5° - 185°
Tilting Mode	manual / sequential position / sort position
Tilting Speed	manual: approx. 0.1"/s - 120"/s 8-step/64-step sequential position: maximum approx. 300"/s
Controls	pan / tilt, lens, 32 preset positions, home position
Controller Interface	Multiplex-coaxial / RS-485
Power Source	24 V AC, 60 Hz
Power Consumption	13 W
Ambient Operating Temperature	-10 °C - +50 °C (14 °F - 122 °F)
Dimensions	ø120 (D) x 191 (H) mm (ø4-3/4" (D) x 7-1/2" (H))
Weight	approx. 2 kg (4.4 lbs.)

Important – Safety Precaution: carefully read the operating instructions and installation manual before using this product.

• Weights and dimensions are approximate. • Specifications are subject to change without notice. • These products may be subject to export control regulations.

# Panasonic

**Panasonic System Solutions Company**  
Unit Company of Panasonic Corporation of North America  
**Security Systems**

Website : [www.panasonic.com/security](http://www.panasonic.com/security)

For Customer Support : call 1.877.733.3689

**Executive Office** : Three Panasonic Way 2H-2, Secaucus, New Jersey 07094

**Zone Office**

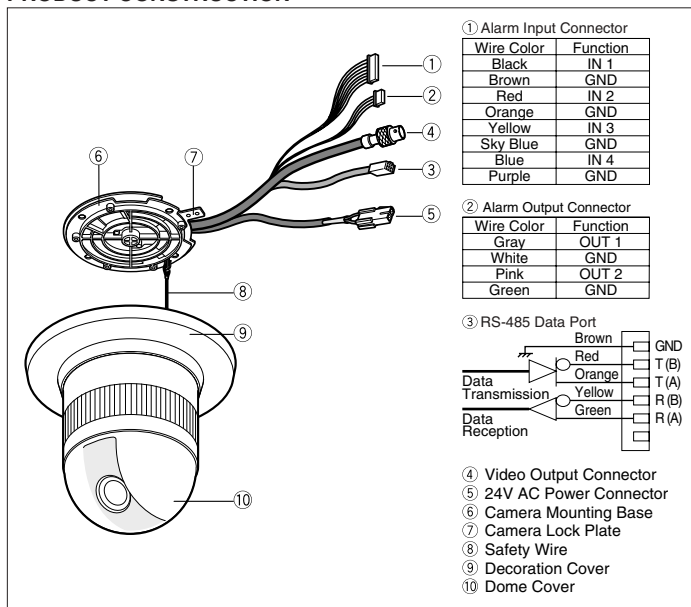
**Eastern** : Three Panasonic Way, Secaucus, New Jersey 07094

**Central** : 1707 N.Randal Road, Elgin, IL 60123

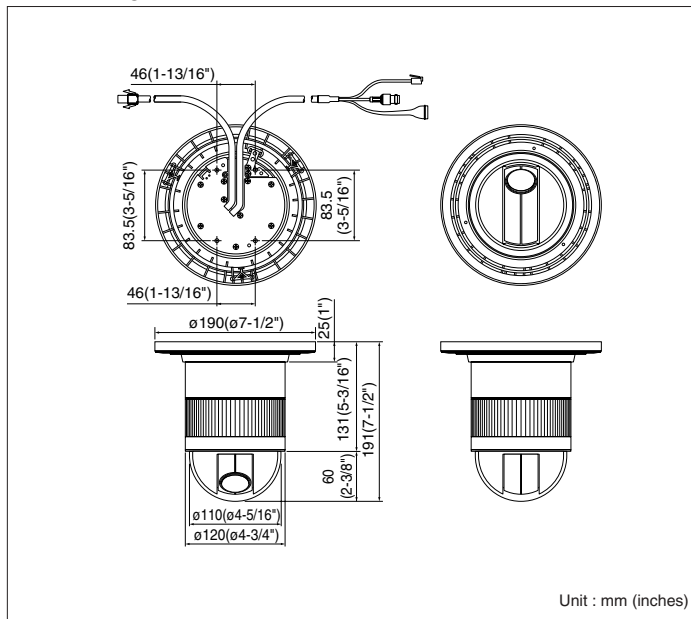
**Southern** : 1225 Northbrook Parkway, Suwanee, GA 30024

**Western** : 6550 Katella Ave., Cypress, CA 90630

## PRODUCT CONSTRUCTION



## APPEARANCE



## OPTIONAL ACCESSORIES

Mirror Cover WV-CS2M	Direct Ceiling Installation WV-Q105	Embedded Ceiling Installation WV-Q106	Suspended Ceiling Installation WV-Q117	Wall Installation WV-Q118

DISTRIBUTED BY:

**PANASONIC CANADA INC.**

5770 Ambler Drive, Mississauga, Ontario, L4W 2T3 Canada (905) 624-5010

**PANASONIC PUERTO RICO INC.**

**DIVISION OF PANASONIC CORPORATION OF NORTH AMERICA**

San Gabriel Industrial Park, 65th Infantry Ave. KM. 9.5 Carolina, P.R. 00985 (809) 750-4300

Printed in Japan

WV-JHCS574T(2P-529)